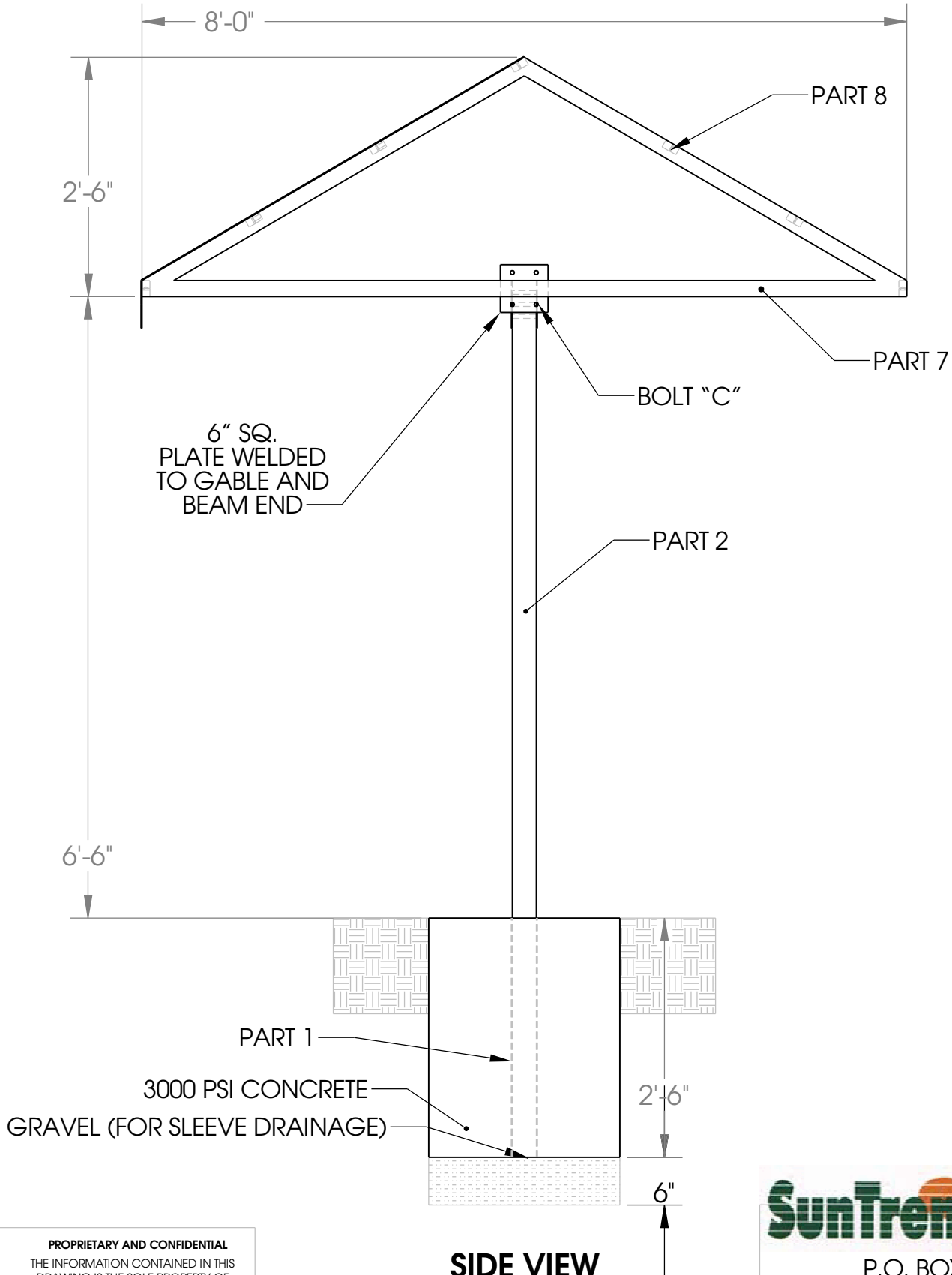


Cabana Canopy 10' - Direct Burial



PROPRIETARY AND CONFIDENTIAL
 THE INFORMATION CONTAINED IN THIS DRAWING IS THE SOLE PROPERTY OF SUNTRENDS INC. ANY REPRODUCTION IN PART OR AS A WHOLE WITHOUT THE WRITTEN PERMISSION OF SUNTRENDS INC. IS PROHIBITED.

SunTrends, Inc.

P.O. BOX 101057
 DENVER, CO 80250
 303-744-2647

SCALE 1:18

SHEET 3 OF 4