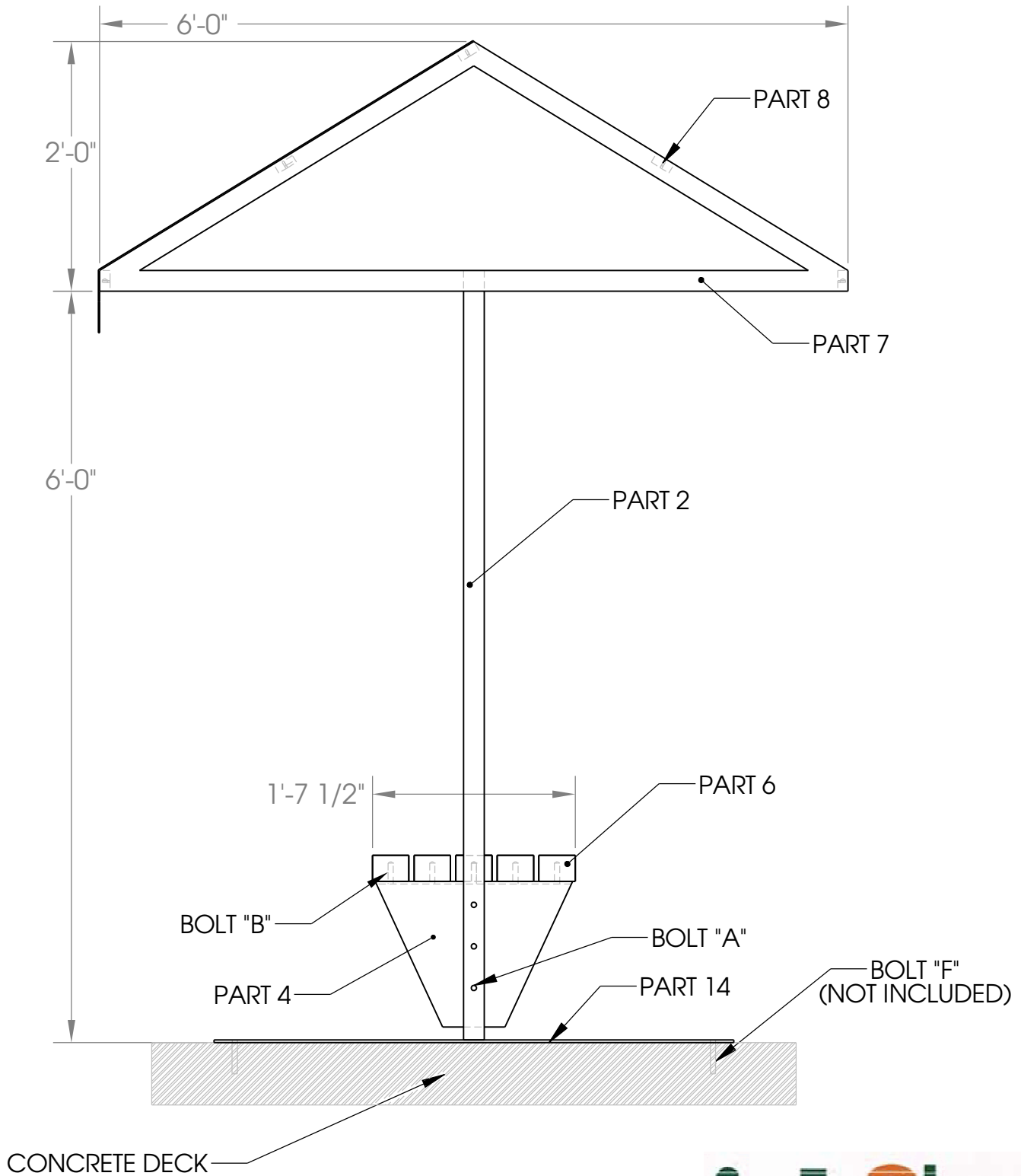


Cabana Bench 6' - Surface Mount



SIDE VIEW

PROPRIETARY AND CONFIDENTIAL
 THE INFORMATION CONTAINED IN THIS
 DRAWING IS THE SOLE PROPERTY OF
 SUNTRENDS INC.. ANY
 REPRODUCTION IN PART OR AS A WHOLE
 WITHOUT THE WRITTEN PERMISSION OF
 SUNTRENDS INC. IS
 PROHIBITED.

SunTrends, Inc.

P.O. BOX 101057
 DENVER, CO 80250
 303-744-2647

SCALE 1:14

SHEET 3 OF 5