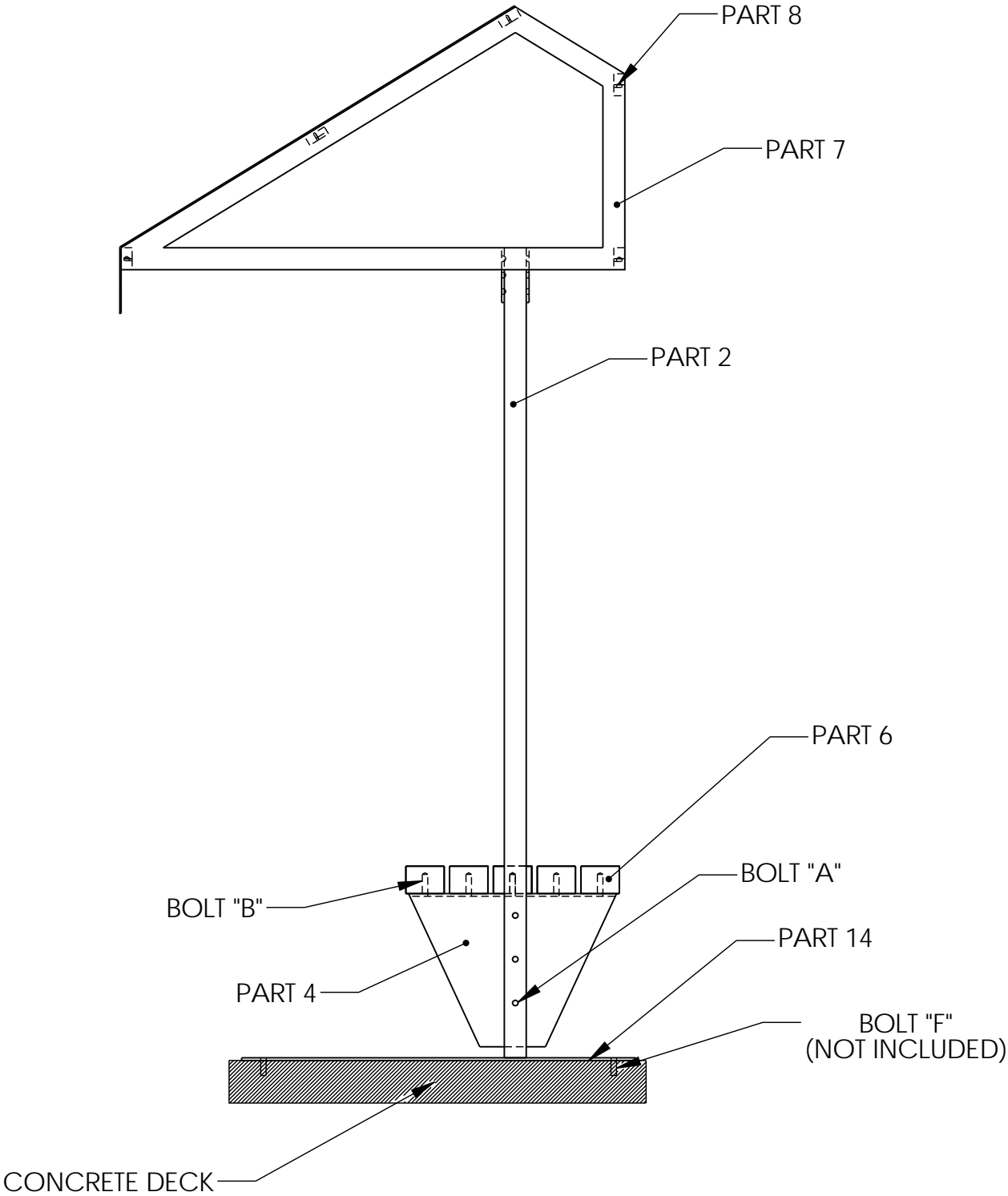


Cabana Bench Modified 8' - Surface Mount



SIDE VIEW

PROPRIETARY AND CONFIDENTIAL
 THE INFORMATION CONTAINED IN THIS DRAWING IS THE SOLE PROPERTY OF SUNTRENDS INC. ANY REPRODUCTION IN PART OR AS A WHOLE WITHOUT THE WRITTEN PERMISSION OF SUNTRENDS INC. IS PROHIBITED.

P.O. BOX 101057
 DENVER, CO 80250
 303-744-2647

SCALE 1:14	SHEET 3 OF 5
------------	--------------