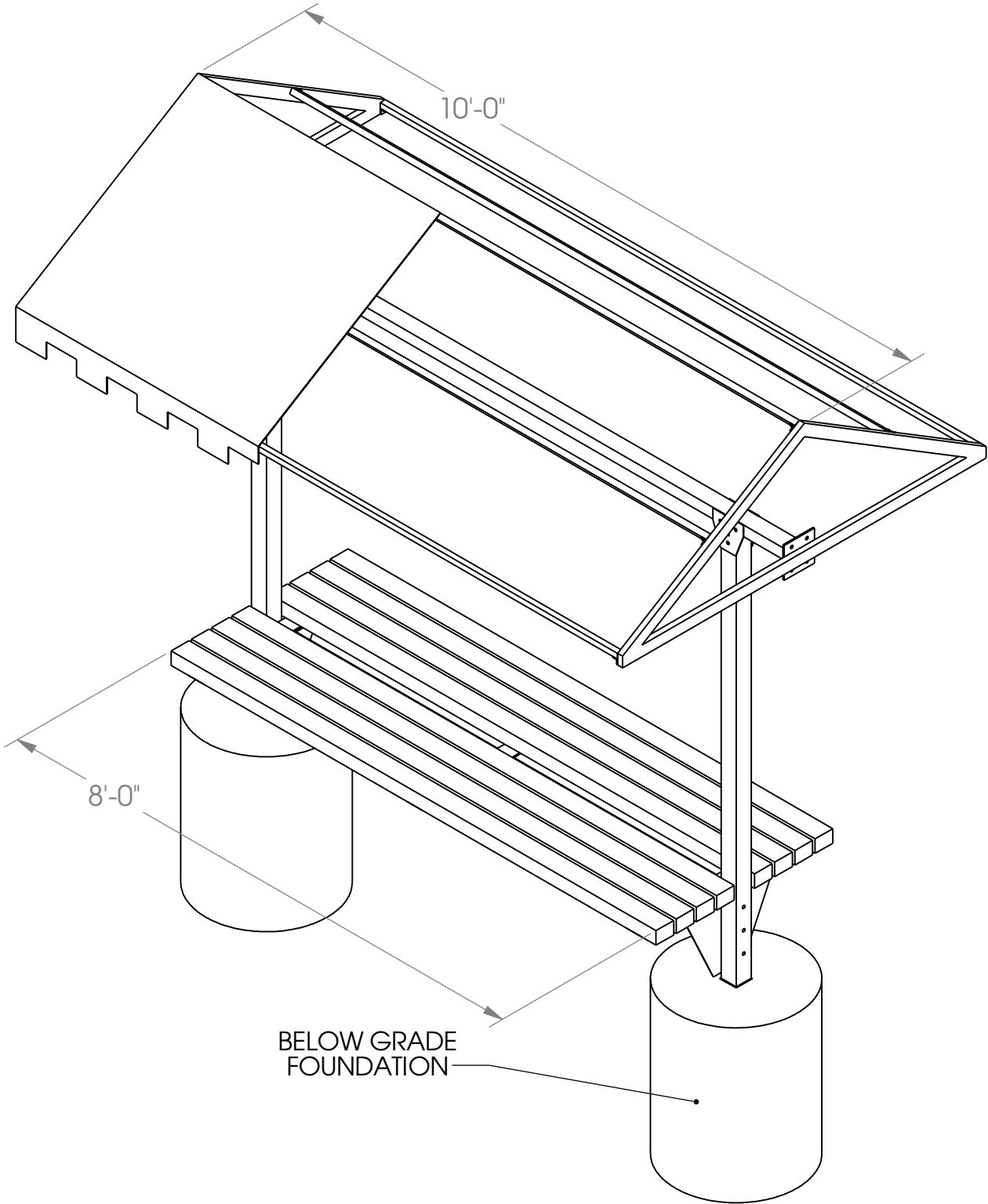


Cabana Bench 10' - Direct Burial



ISOMETRIC VIEW

PROPRIETARY AND CONFIDENTIAL
THE INFORMATION CONTAINED IN THIS DRAWING IS THE SOLE PROPERTY OF SUNTRENDS INC. ANY REPRODUCTION IN PART OR AS A WHOLE WITHOUT THE WRITTEN PERMISSION OF SUNTRENDS INC. IS PROHIBITED.

SunTrends, Inc.

P.O. BOX 101057
DENVER, CO 80250
303-744-2647

SCALE 1:21

SHEET 1 OF 5