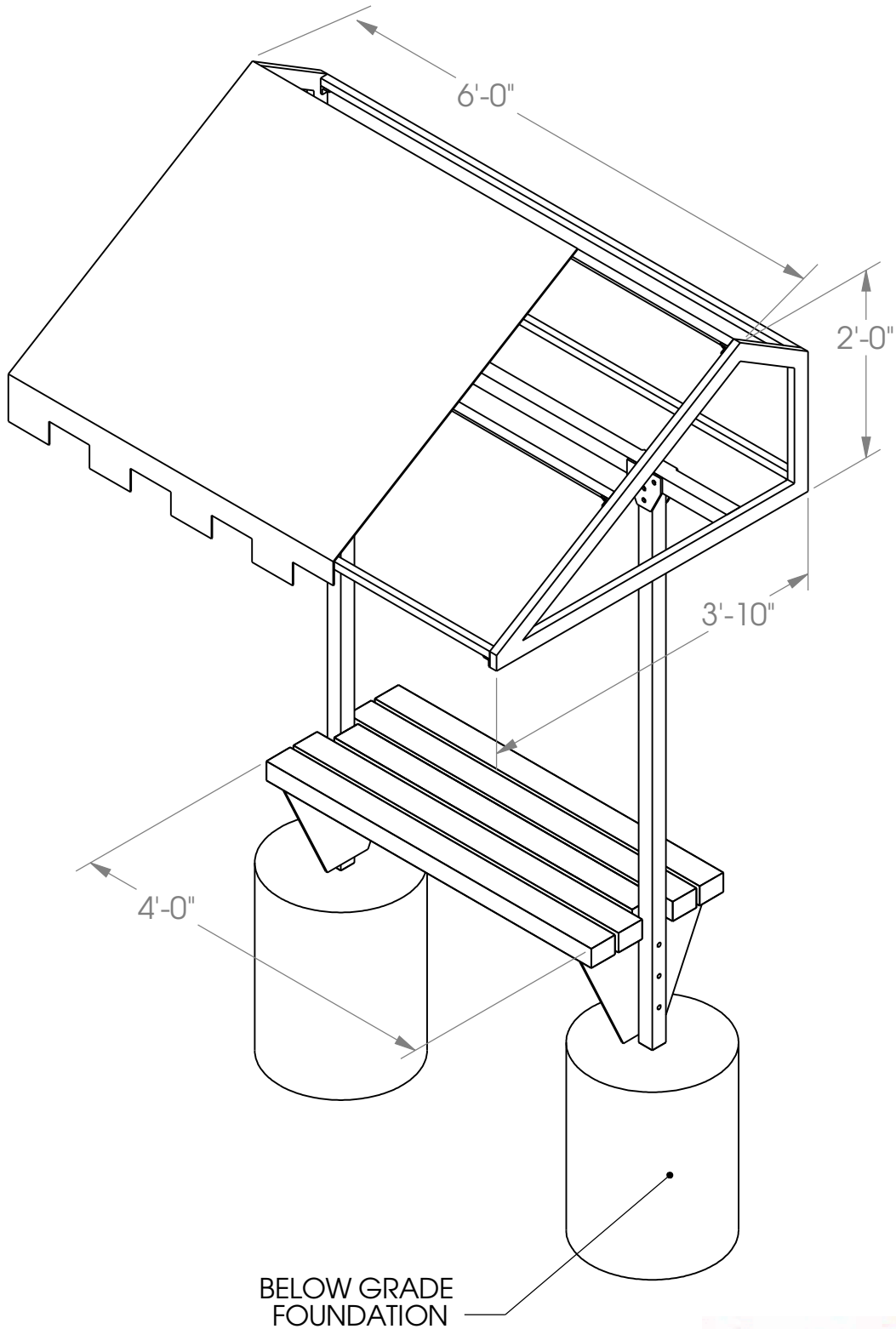


Cabana Bench Modified 6' - Direct Burial



ISOMETRIC VIEW

PROPRIETARY AND CONFIDENTIAL
THE INFORMATION CONTAINED IN THIS
DRAWING IS THE SOLE PROPERTY OF
SUNTRENDS INC.. ANY
REPRODUCTION IN PART OR AS A WHOLE
WITHOUT THE WRITTEN PERMISSION OF
SUNTRENDS INC. IS
PROHIBITED.

SunTrends, Inc.

P.O. BOX 101057
DENVER, CO 80250
303-744-2647

SCALE 1:16

SHEET 1 OF 5