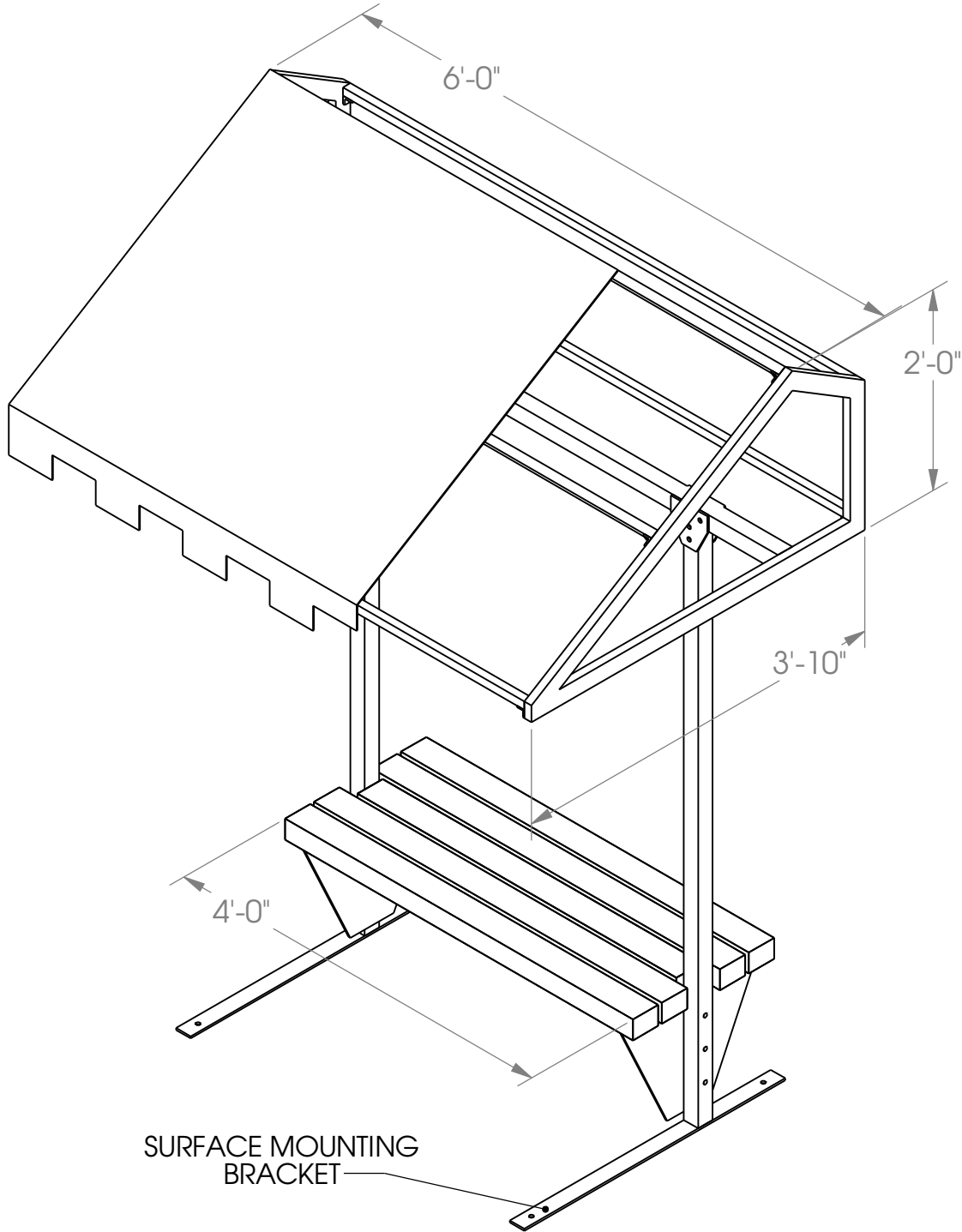


# Cabana Bench Modified 6' - Surface Mount



**ISOMETRIC VIEW**

**PROPRIETARY AND CONFIDENTIAL**  
THE INFORMATION CONTAINED IN THIS DRAWING IS THE SOLE PROPERTY OF SUNTRENDS INC. ANY REPRODUCTION IN PART OR AS A WHOLE WITHOUT THE WRITTEN PERMISSION OF SUNTRENDS INC. IS PROHIBITED.

**SunTrends, Inc.**

P.O. BOX 101057  
DENVER, CO 80250  
303-744-2647

SCALE 1:14

SHEET 1 OF 5